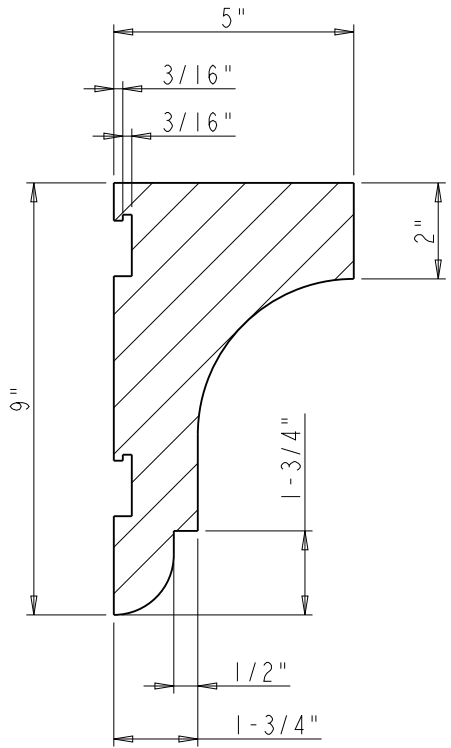
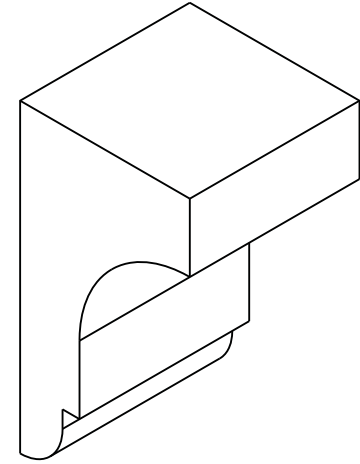
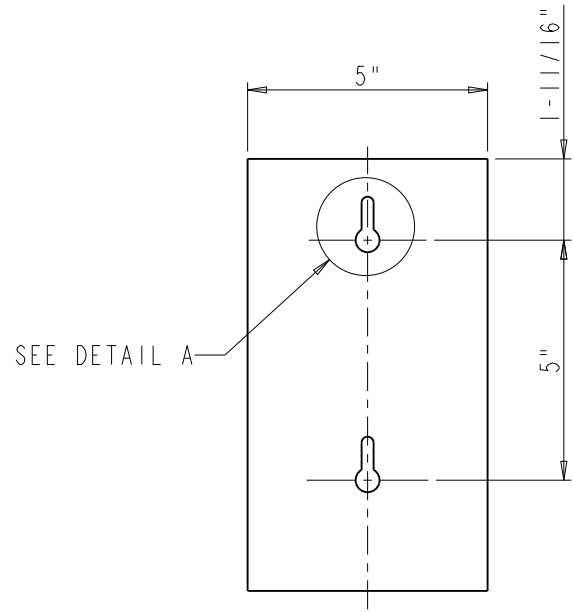


DETAIL A
SCALE 1:2



SECTION A-A



	ITEM:	COR32-1		MATERIAL:	
	FINISH:			WEIGHT: 0.000 g	
<p>PROPRIETARY AND CONFIDENTIAL</p> <p>THE INFORMATION CONTAINED IN THIS DRAWING IS THE SOLE PROPERTY OF HARDWARE RESOURCES INC. ANY REPRODUCTION IN PART OR AS A WHOLE WITHOUT THE WRITTEN PERMISSION OF HARDWARE RESOURCES INC. IS PROHIBITED.</p>	TOLERANCE UNLESS OTHERWISE SPECIFIED:		UNITS:	DRAWN BY:	DATE:
	X ±0.20			Hugo.cai	Sep-06-19
	X.X ±0.10		SIZE:	APPROVED BY:	DATE:
	X.XX ±0.05		SHEET:	RELEASE LEVEL:	REVISION:
ANGULAR: ±0.5°		DO NOT SCALE DRAWING			